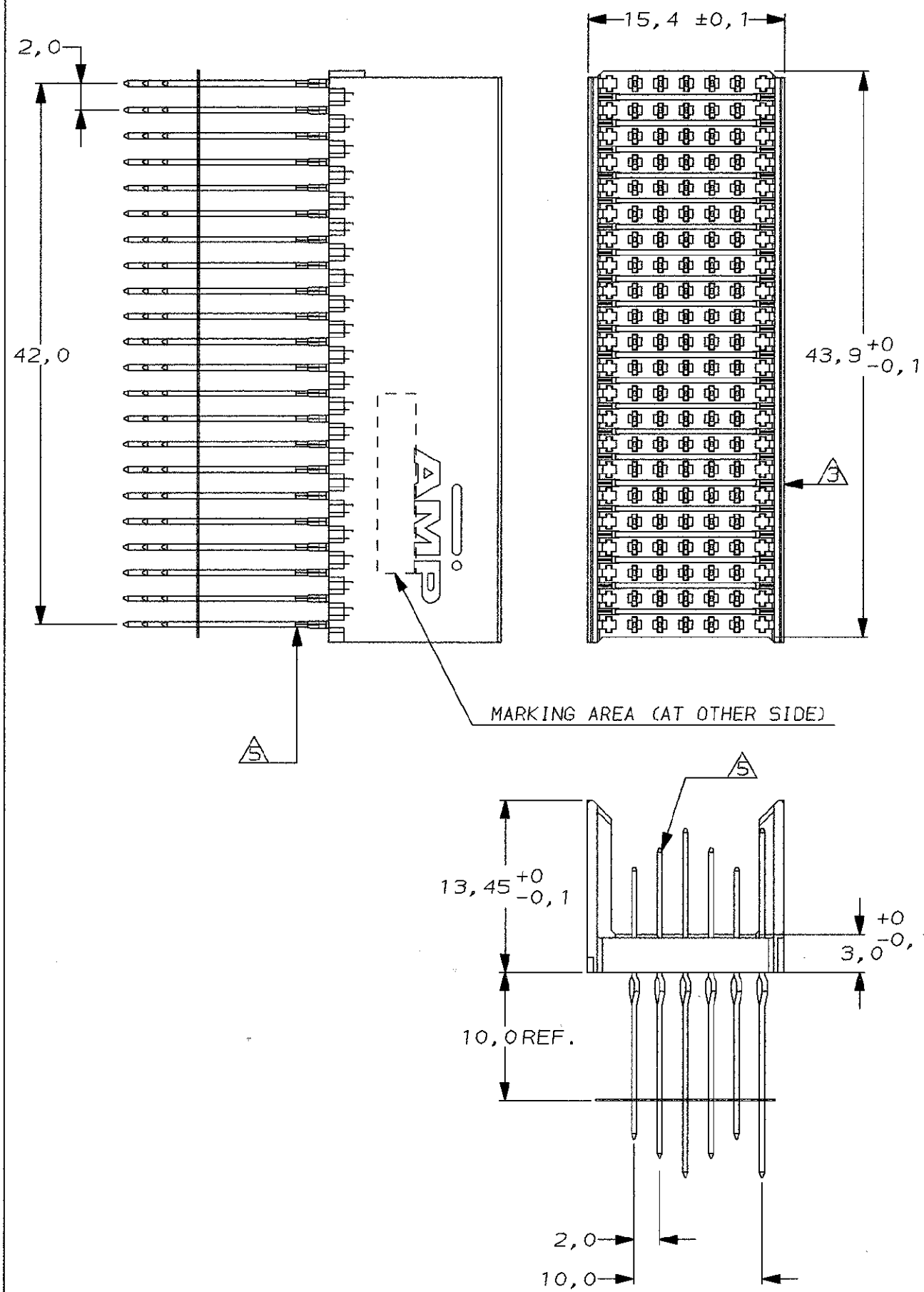
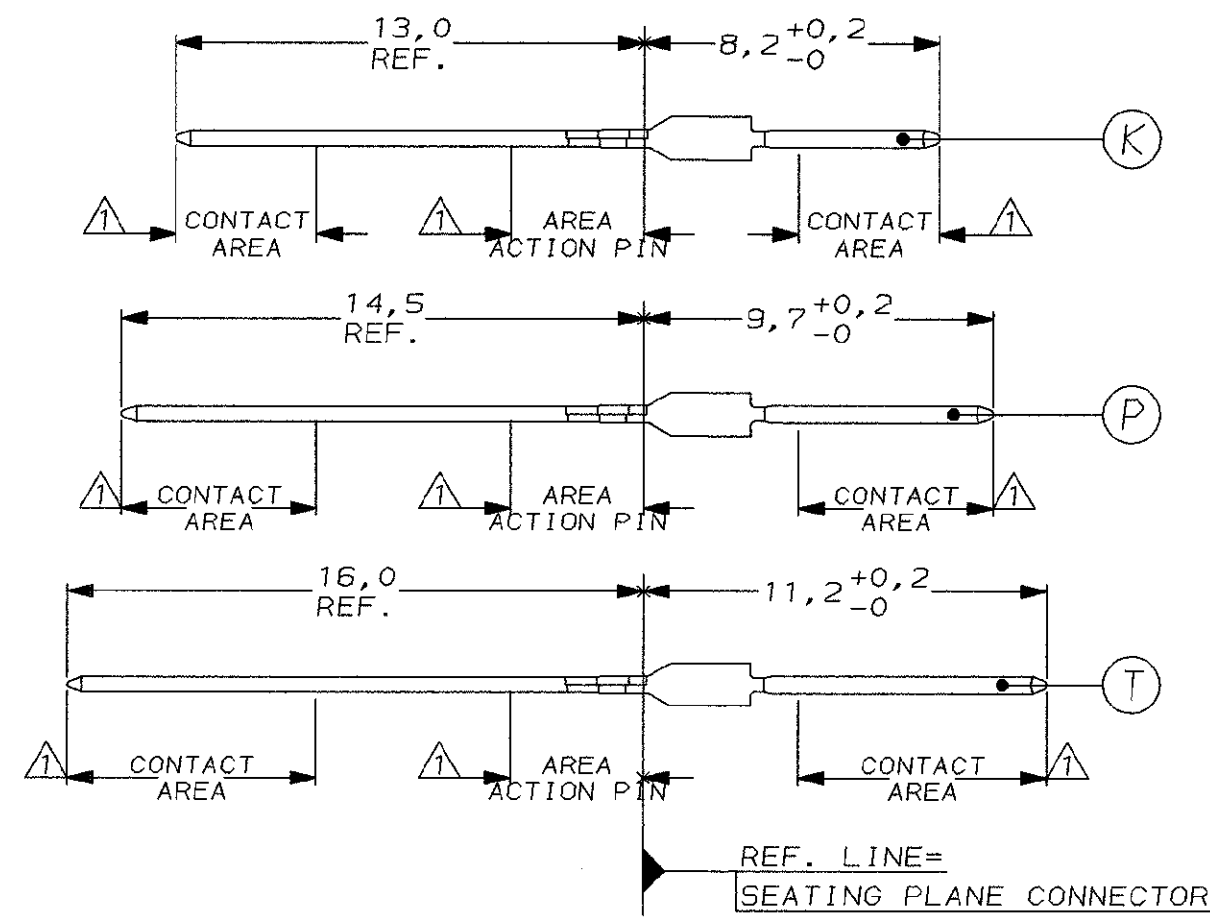


# CONNECTOR ASSEMBLY EXEMPLARY LOADED



# CONTACT DIMENSIONS



DO NOT SCALE  
DIMENSIONS IN mm

METRIC

THIRD ANGLE  
PROJECTION

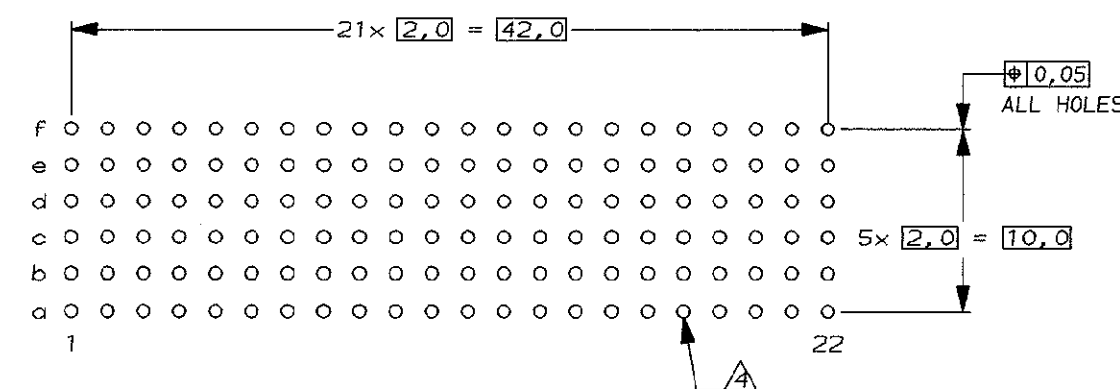
# CONTACT LAYOUT

	z	a	b	c	d	e	f
1	K	K	K	K	K	T	
2	K	K	K	K	K	T	
3	K	K	K	K	K	T	
4	K	K	K	K	K	T	
5	K	K	K	K	K	T	
6	K	K	K	K	K	T	
7	K	K	K	K	K	T	
8	K	K	K	K	K	T	
9	K	K	K	K	K	T	
10	K	K	K	K	K	T	
11	K	K	K	K	K	T	
12	K	K	K	K	K	T	
13	K	K	K	K	K	T	
14	K	K	K	K	K	T	
15	K	K	K	K	K	T	
16	K	K	K	K	K	T	
17	K	K	K	K	K	T	
18	K	K	K	K	K	T	
19	P	P	P	P	P	T	
20	P	P	P	P	P	T	
21	P	P	P	P	P	T	
22	P	P	P	P	P	T	

PART NO.	PLATING TABLE $\Delta$			
	UNDER-COATING $\mu\text{m Ni MIN.}$	CONTACT AREA $\mu\text{m Au MIN.}$	ACTION-PIN AREA $\mu\text{m}$	-
352360-1	1,3	0,8	0,5-2,5 Sn/Pb	-
-	-	-	-	-
-	-	-	-	-
-	-	-	-	-

### NOTES:

- $\Delta$  FOR FINISH TYPES SEE PLATING TABLE.
- $\Delta$  MATERIAL CONTACT: PHOSPHORBRONZE.  
MATERIAL HOUSING: GREY GLASSFILLED POLYESTER  
MATERIAL POST ALIGNMENT STRIP: UNFILLED POLYESTER.
- $\Delta$  CONNECTOR MARKED WITH PART NUMBER AND DATE CODE.
- $\Delta$  PLATED-THROUGH HOLES AT 2x2mm SQUARE GRID, TOTAL 132 HOLES.
- $\Delta$  FOR ACTUAL PIN LOADING SEE "CONTACT LAYOUT".



RECOMMENDED PCB-HOLE LAY-OUT  
COMPONENT SIDE SHOWN

### P.C.B. HOLE DIM. ACTION PIN

DRILLED HOLE: 0,7±0,025mm  
FIN. HOLE : 0,55 TO 0,65mm  
Cu-thks : 0,025 TO 0,050mm  
SnPb-thks : 0,004 TO 0,010mm

FINISH		MATERIAL		PART NUMBER	
-	-	-	-	-	-
-	-	-	-	-	-
-	-	-	-	-	-
-	-	-	-	-	-
-	-	-	-	-	352360-1
CUSTOMER DRAWING FOR REFERENCE ONLY WILL NOT BE UPDATED					
© COPYRIGHT 1999 BY AMP HOLLAND B.V. ALL INTERNATIONAL RIGHTS RESERVED. AMP PRODUCTS MAY BE COVERED BY U.S. AND FOREIGN AND/OR PATENTS PENDING. THIS DRAWING IS UNPUBLISHED RELEASED FOR PUBLICATION					
B	EH-0342-00	HHO	LvdR	10-MAR-00	AMP HOLLAND B.V. 's-Hertogenbosch, The Netherlands.
A	EH-0458-99	LvdH	LvdR	08-MAR-99	
O	-	LvdH	WvdH	27-FEB-98	NAME Z-PACK 2mm HM TYPE B 132 POS. MALE
LTR. REVISION RECORD				DR. CHK. DATE	CONNECTOR ASSEMBLY 22 COLUMNS
DR. : L.V.D.HEIJDEN	CHK. : L.V.D.HEIJDEN	APP. : F.V.KONINGSBRUGGE	DWG.No.	REV.LTR.	SHEET
DATE: 27-FEB-98	DATE: 27-FEB-98	DATE: -	C-352360	B	1 OF 1